

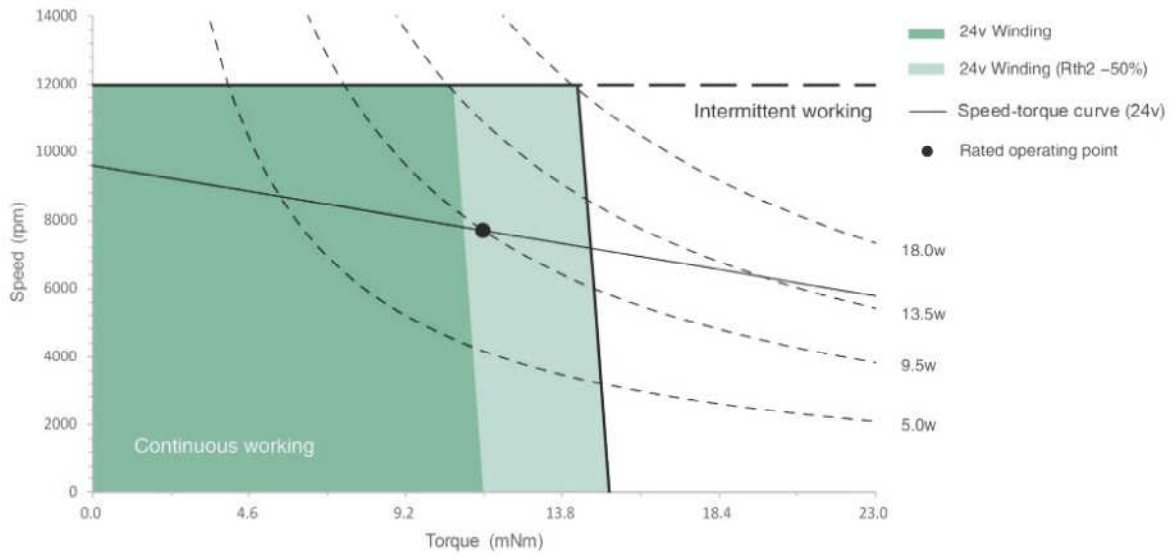
TCU24032 \varnothing 24mm Graphite Brushes 9.5/13.5W

Motor Data		Part Numbers			
		TCU24032G09	TCU24032G12	TCU24032G18	TCU24032G24
Nominal voltage	V	9	12	18	24
No load speed	rpm	9700	9700	10100	9600
No load current	mA	40.0	25.6	18.3	21.0
Nominal speed	rpm	7450	7550	8050	7560
Max. continuous torque	mNm	9.83	10.65	10.92	11.89
Max. continuous current	A	1.162	0.942	0.659	0.506
Stall torque	mNm	42.85	50.53	53.66	60.58
Stall current	A	4.89	4.29	3.15	2.47
Max efficiency	%	83	82	85	83
Terminal Resistance	Ohm	1.8	2.8	5.7	9.7
Terminal Inductance	mH	0.386	0.068	0.143	0.284
Torque constant	mNm / A	8.76	11.79	17.05	24.49
Speed constant	rpm / V	1090	810	560	390
Speed/torque gradient	rpm / mNm	229	192	188	155
Mechanical time constant	ms	7.74	5.70	6.24	5.66
Rotor inertia	gcm ²	3.23	2.83	3.17	3.50

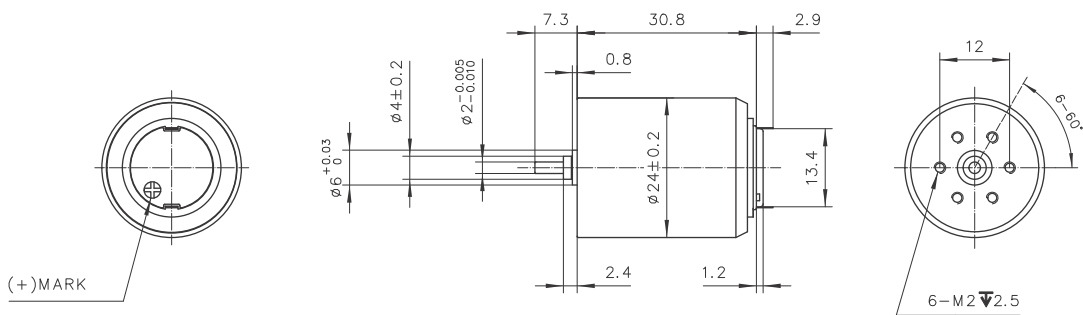
Specification		
Bearing	Sleeve bearing	
Max speed	rpm	11000
Axial play	mm	≤0.3
Number of commutator segments	5	
Ambient temperature	° C	-20~+85
Max winding temperature	° C	125
Thermal resistance		
Housing - Ambient	° C / W	24
Winding - Housing	° C / W	5.6
Thermal time constant		
Motor	s	669
Winding	s	6.66
Number of pole pairs	1	
Weight	g	78.8

Combination	
Gearbox	
PG22C	
Ø22mm 0.8 Nm 4:1-509:1	
Page 45	
Encoder	
K16	
Ø16mm 200 Lines 2 Channels	
Page 50	
Option	
Sleeve Bearing / Ball Bearing	

Operating Range



Dimension



TCU24032Gxx-S001