

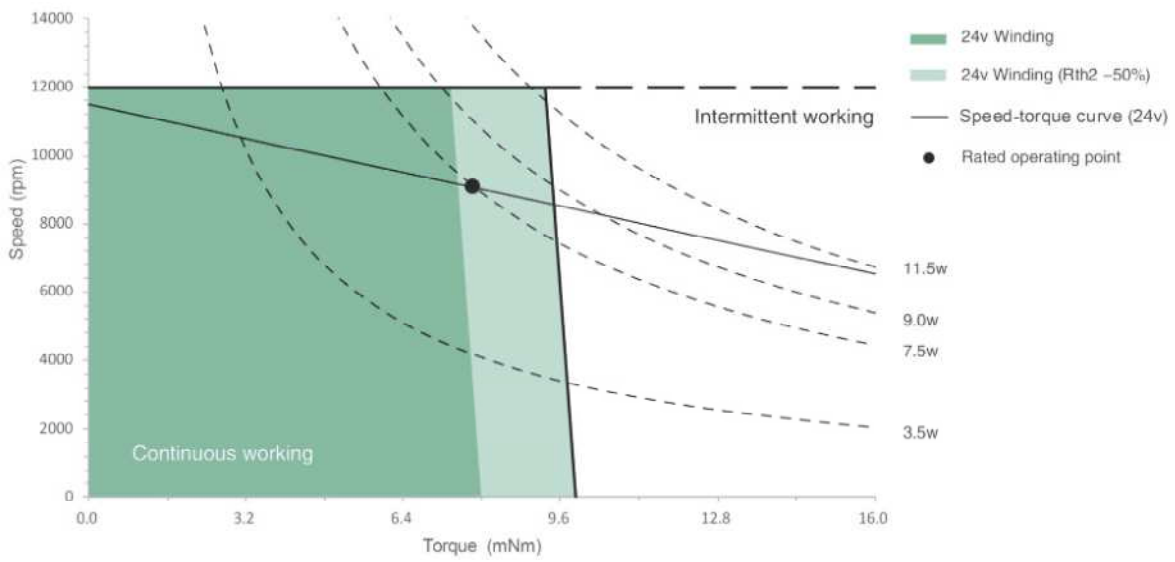
TCU17035 \varnothing 17mm Graphite Brushes 7.5/9W

Motor Data		Part Numbers			
		TCU17035G12	TCU17035G18	TCU17035G24	TCU17035G36
Nominal voltage	V	12	18	24	36
No load speed	rpm	9900	11000	11500	10500
No load current	mA	19.7	24.6	24.7	12.8
Nominal speed	rpm	7130	8320	9050	7990
Max. continuous torque	mNm	7.25	7.18	7.72	7.66
Max. continuous current	A	0.650	0.491	0.421	0.253
Stall torque	mNm	26.10	29.91	37.12	32.93
Stall current	A	2.27	1.94	1.90	1.03
Max efficiency	%	83	79	79	79
Terminal Resistance	Ohm	5.3	9.3	12.6	34.8
Terminal Inductance	mH	0.166	0.285	0.453	1.340
Torque constant	mNm / A	11.51	15.40	19.49	31.83
Speed constant	rpm / V	830	620	490	300
Speed/torque gradient	rpm / mNm	382	373	317	328
Mechanical time constant	ms	4.36	4.34	3.78	3.92
Rotor inertia	gcm ²	1.09	1.11	1.14	1.14

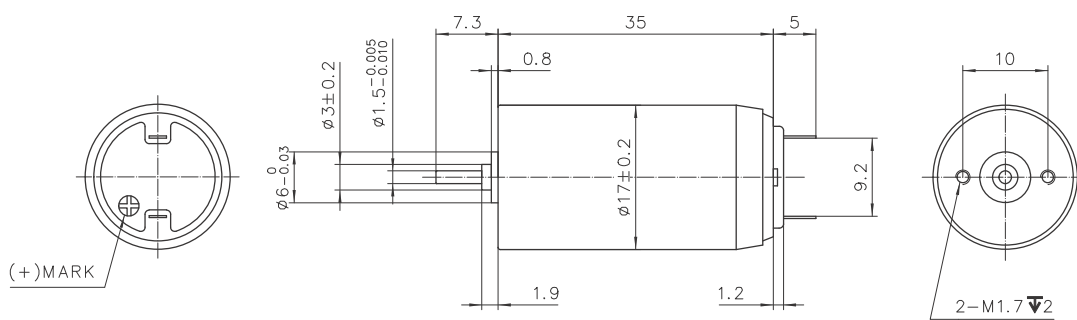
Specification		
Bearing	Sleeve bearing	
Max speed	rpm	12000
Axial play	mm	≤0.3
Number of commutator segments	5	
Ambient temperature	° C	-20~+85
Max winding temperature	° C	125
Thermal resistance		
Housing - Ambient	° C/ W	21.3
Winding - Housing	° C/ W	11.6
Thermal time constant		
Motor	s	504
Winding	s	10.96
Number of pole pairs	1	
Weight	g	41.4

Combination	
Gearbox	
PG16C	
Ø16mm 0.5 Nm 4:1-850:1	
Page 44	
Encoder	
R16	
Ø16mm 512 Lines 3 Channels	
Page 49	
K16	
Ø16mm 200 Lines 2 Channels	
Page 50	
Option	
Graphite Brushes / Precious Metal Brushes	
Sleeve Bearing / Ball Bearing	

Operating Range



Dimension



TCU17035Gxx-S001