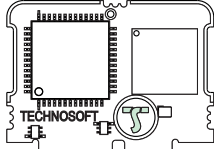
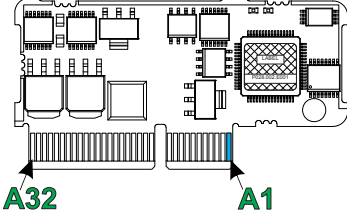


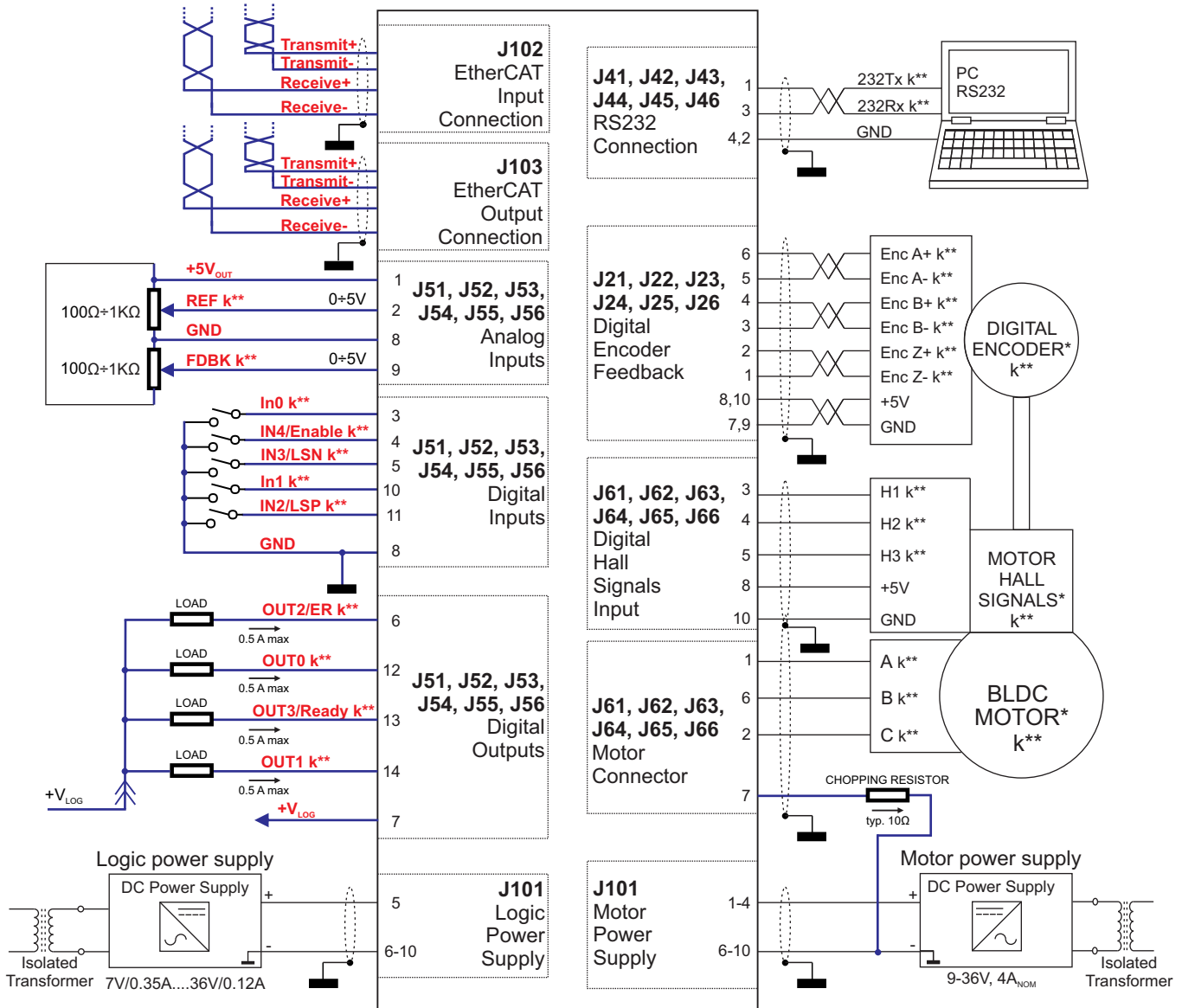
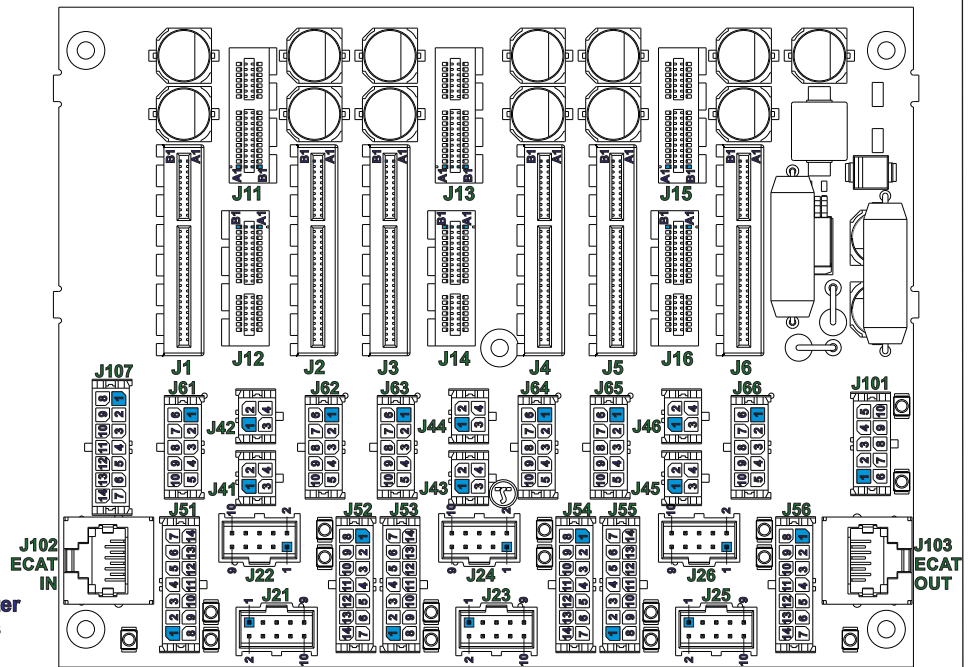
**ECAT-VX Adapter
P038.022.E022**



**B1 B18
Compatible drives - iPOS360x VX**



- * The motherboard supports up to 6 drives
- ** Each drive must be paired with an ECAT-VX Adapter
- *** A missing drive must have a Dummy Bridge in it's corresponding J11- J16 slots



* FOR ALL AVAILABLE OPTIONS CHECK THE USER MANUAL OF THE DRIVE
 ** k = 1, 2, 3, 4, 5, 6 where k is the iPOS port number

iPOS360x SY6-CAT		P/N:P028.023.E000	
Copyright © Technosoft 2021. All rights reserved.			
iPOS360x SY6-CAT - Electrical Connection Diagram			
Size A4	Document Number: P091.028.SY.CDG.0221	Author: ALN	Rev B
Date: 0221	Sheet 1 of 1		