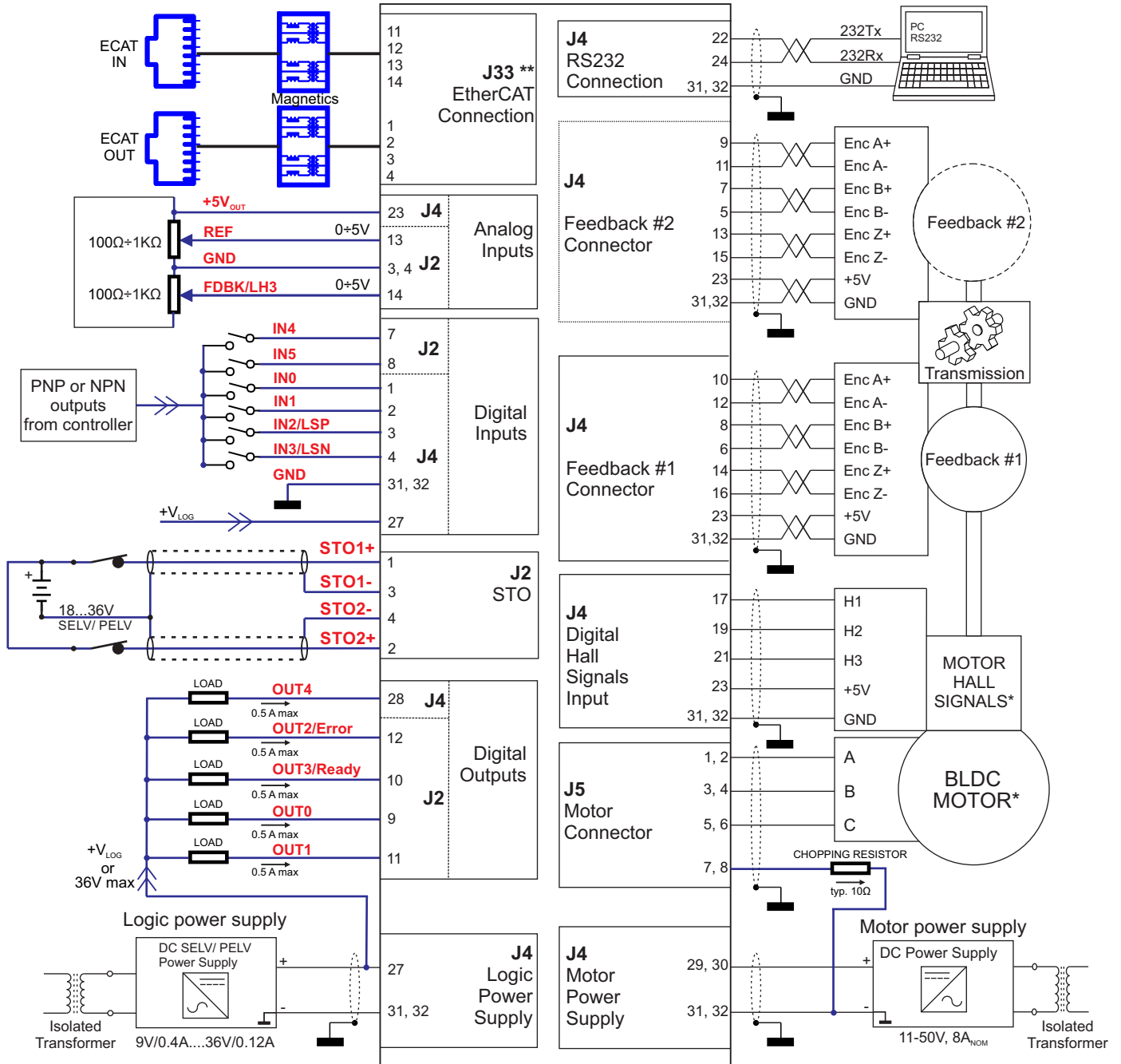


Pins facing upward view



\* For all available feedback/ motor options, check the user manual of the drive  
 \*\* For a detailed EtherCAT bus connection diagram check the user manual or datasheet of the drive

<b>iPOS4808 MY-CAT-STO</b>		<b>P/N:P027.314.E121</b>	
Copyright © Technosoft 2021. All rights reserved.			
<b>iPOS4808 MY-CAT-STO - Electrical Connection Diagram</b>			
Title			
Size <b>A4</b>	Document Number: P091.027.MY.CAT.STO.CDG.0221	Author: ALN	Rev <b>C</b>
Date: 0221	Sheet 1 of 1		