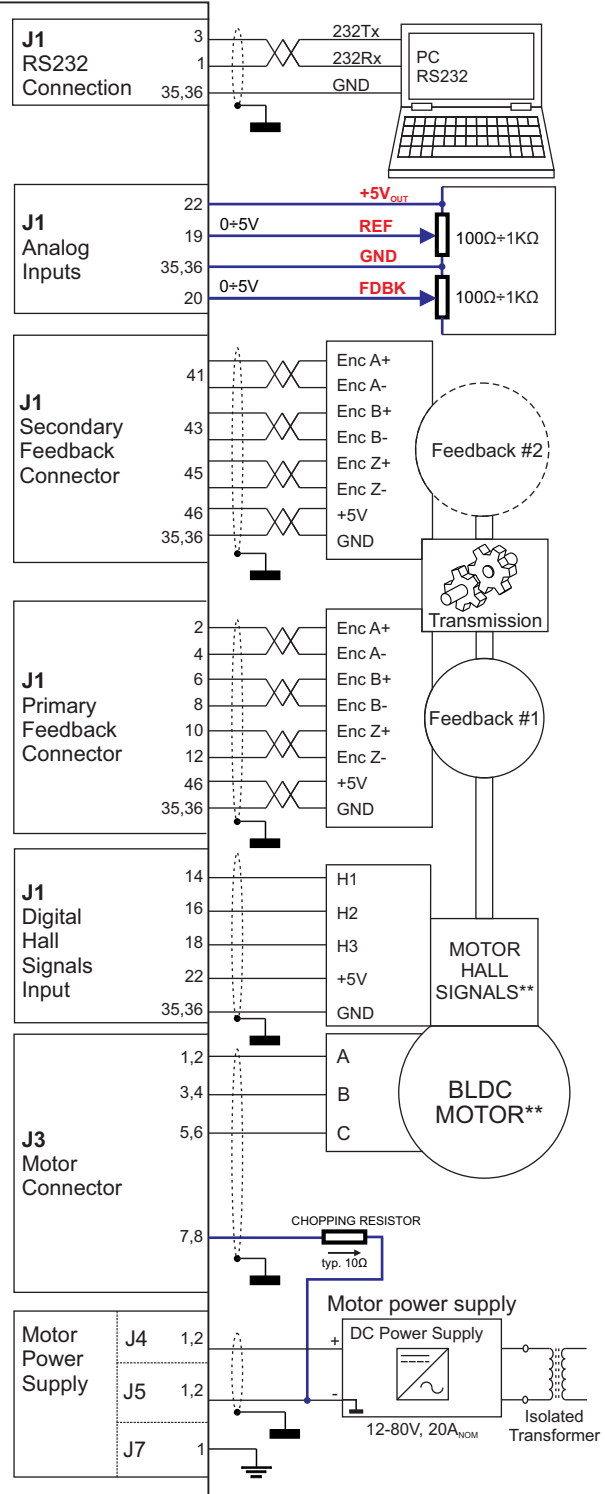
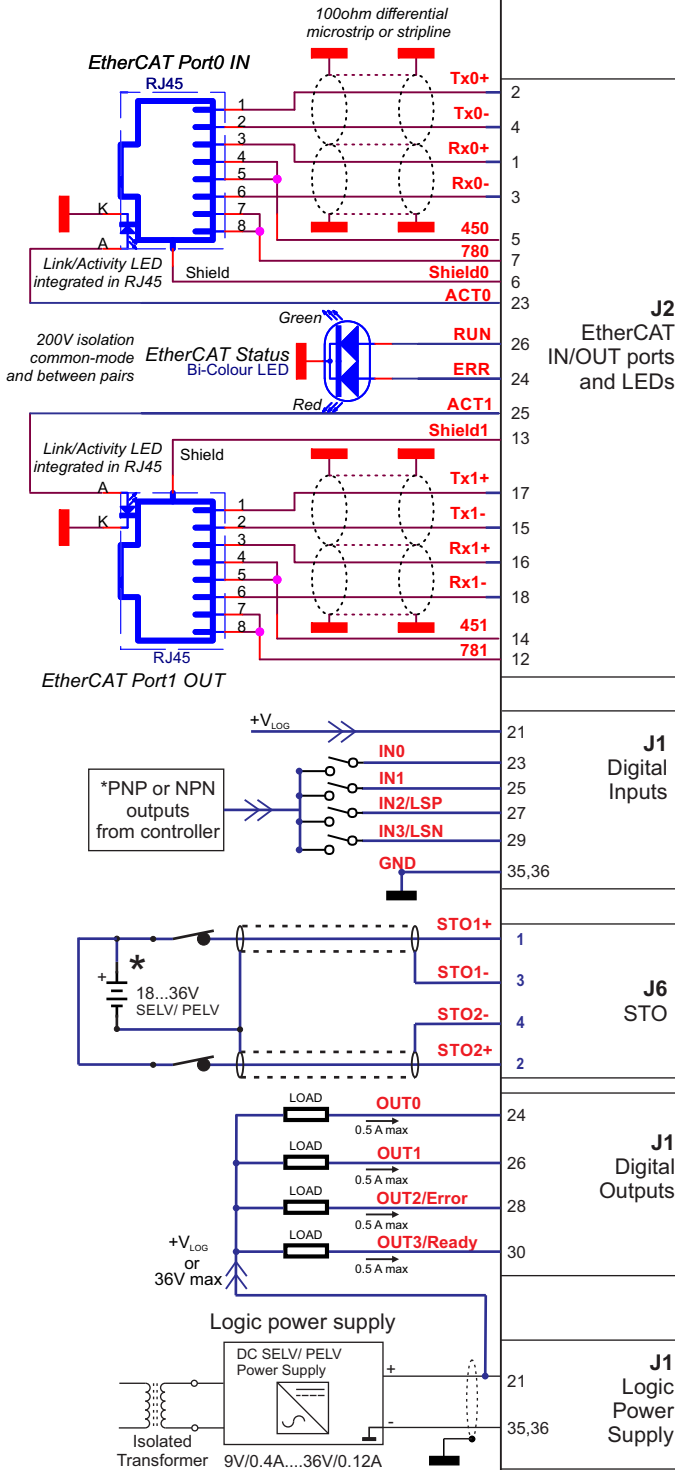


Pins facing upward view



\* ALL DIGITAL INPUTS CAN BE SET AS PNP/NPN INPUTS BY SOFTWARE  
 \*\* FOR ALL AVAILABLE OPTIONS CHECK THE USER MANUAL OF THE DRIVE

<b>iMOTIONCUBE CAT-STO</b>		<b>P/N: P025.126.E121</b>	
Copyright © Technosoft 2021. All rights reserved.			
<b>iMOTIONCUBE - Electrical Connection Diagram</b>			
Title			
Size	Document Number:	Author:	Rev
<b>A4</b>	P091.025.iMOTIONCUBE.CAT.STO.CDG.0221	ALN	<b>B</b>
Date:	0221	Sheet	1 of 1