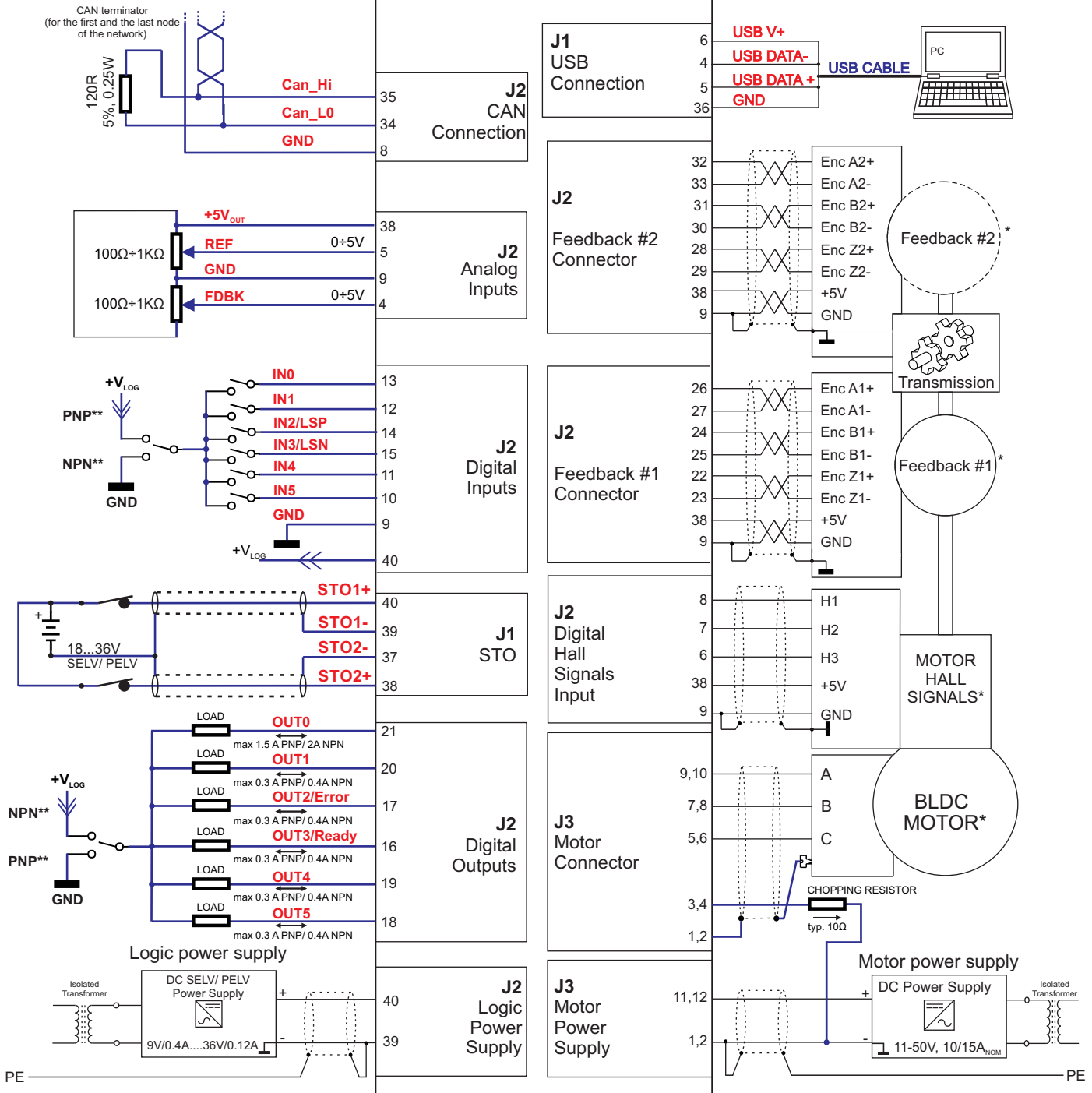


View with pins facing upwards.



\* For all available feedback/ motor options, check the user manual of the drive  
 \*\* The PNP/NPN connection is configured by software

<b>iPOS4810 MZ-CAN</b>		P/N:P022.015.E102	
<b>iPOS4815 MZ-CAN</b>		P/N:P022.016.E102	
Copyright © Technosoft 2023. All rights reserved.			
<b>iPOS481x MZ-CAN - Electrical Connection Diagram</b>			
Size <b>A4</b>	Document Number: P091.022.MZ.CAN.CDG.0523	Author: ALN	Rev <b>G</b>
Date: 0523	Sheet 1 of 1		