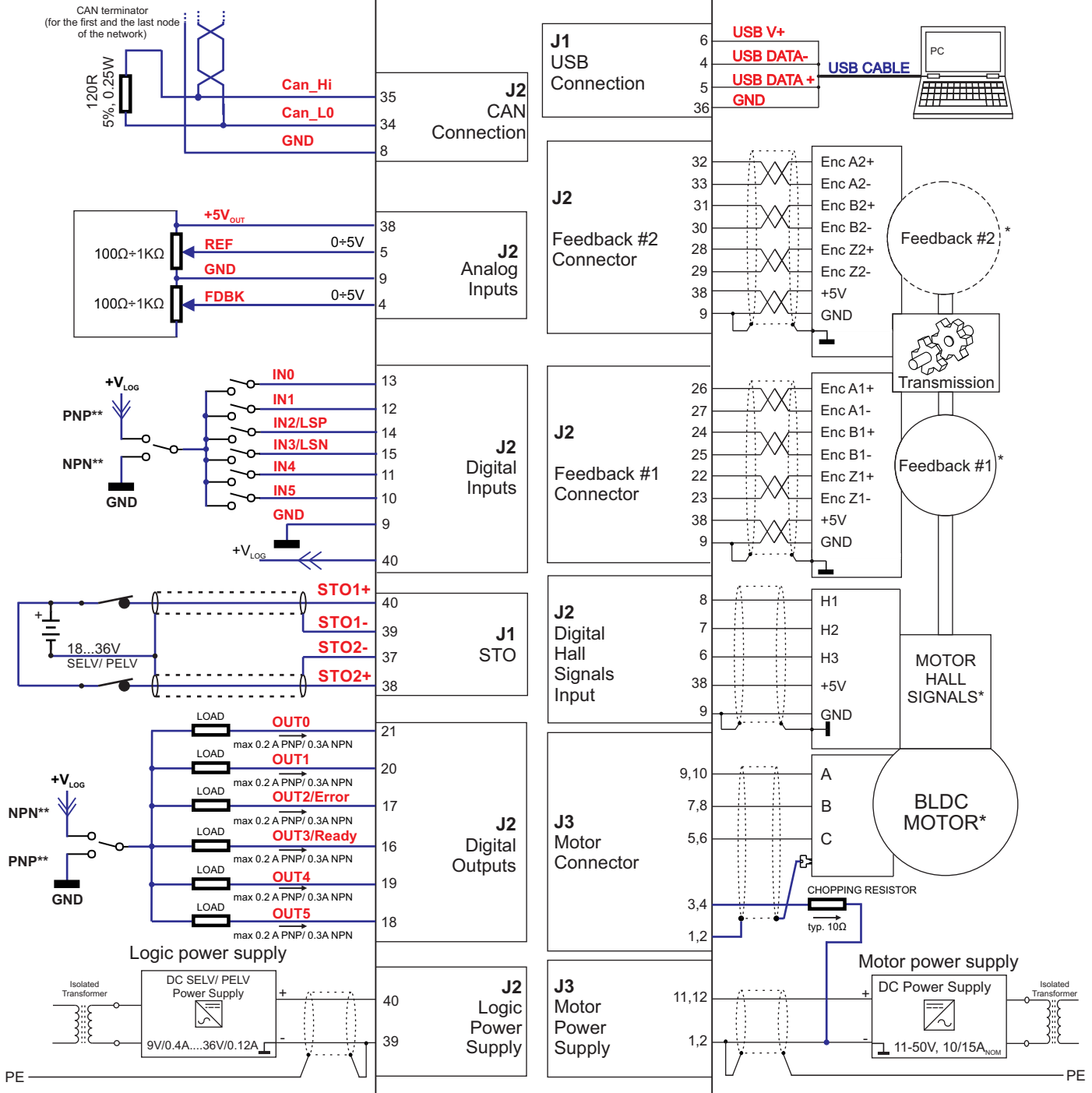


View with pins facing upwards.



* For all available feedback/ motor options, check the user manual of the drive
 ** The PNP/NPN connection is configured by software

iPOS4810 MZ-CAN		P/N:P022.015.E102	
iPOS4815 MZ-CAN		P/N:P022.016.E102	
Copyright © Technosoft 2022. All rights reserved.			
iPOS481x MZ-CAN - Electrical Connection Diagram			
Size A4	Document Number: P091.022.MZ.CAN.CDG.0822	Author: ALN	Rev F
Date: 0822	Sheet 1 of 1		