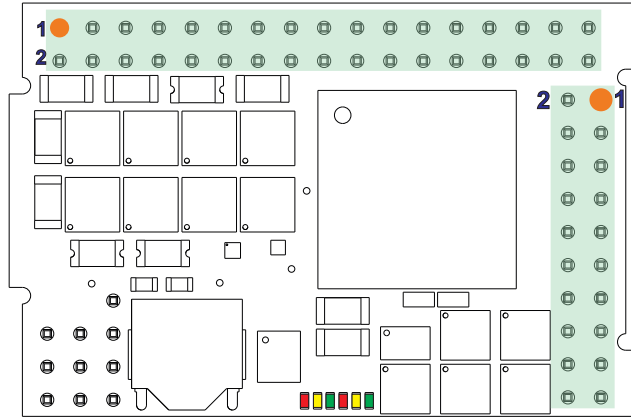
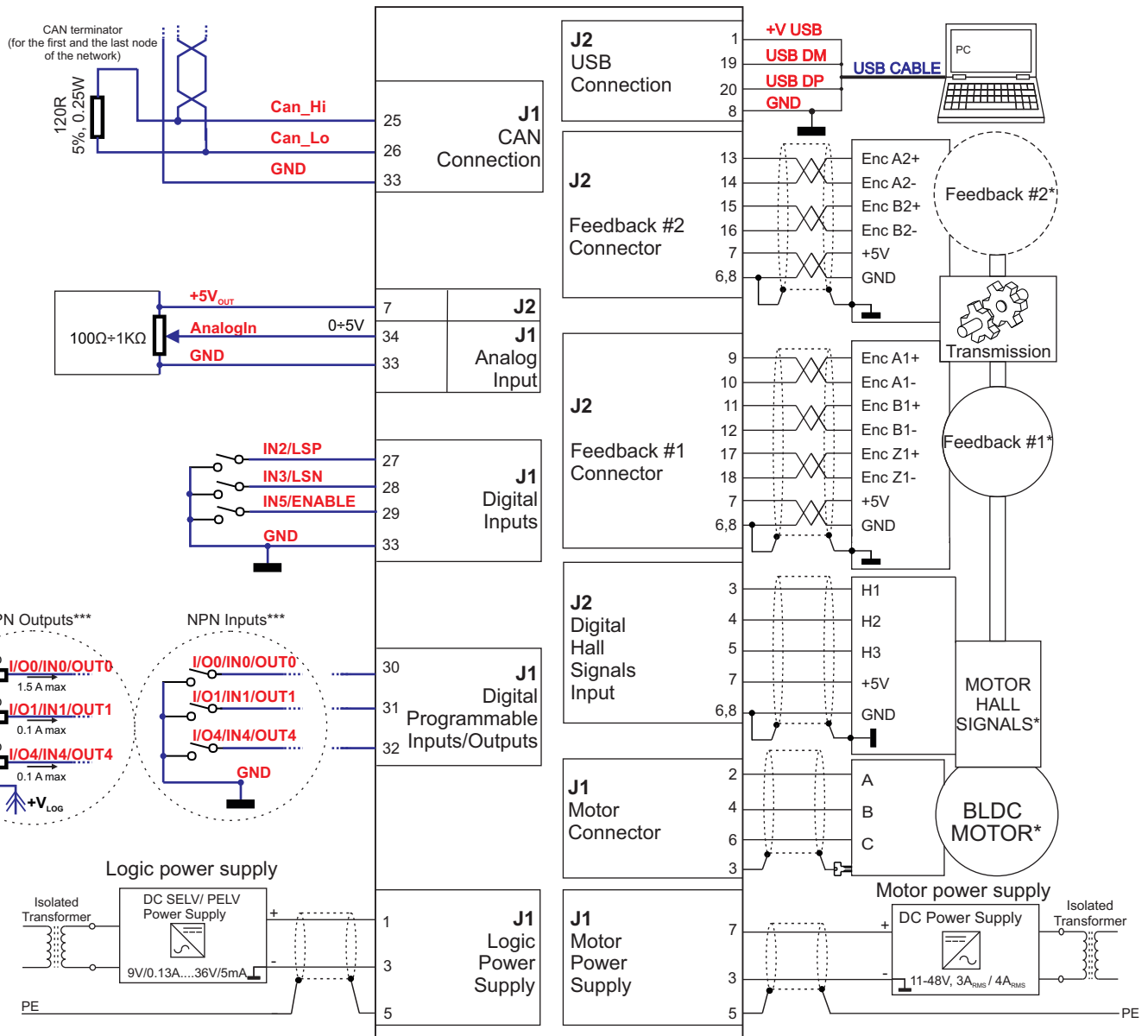


J1



Pins facing downward view

J2



Micro 4804 MZ-CAN

P/N:P020.002.E102

Micro 4804 PZ-CAN

P/N:P020.002.E302



Copyright © Technosoft 2024. All rights reserved.

Micro 4804 MZ.PZ-CAN - Electrical Connection Diagram
Title

Size A4	Document Number: P091.020.Micro 4804 MZ.PZ-CAN.CDG.0724	Author: ALN	Rev A
Date: 0724	Sheet 1 of 1		

* FOR ALL AVAILABLE OPTIONS CHECK THE USER MANUAL OF THE DRIVE
 ** PINS ARE SOFTWARE SELECTABLE INDIVIDUALLY AS NPN INPUTS/OUTPUTS