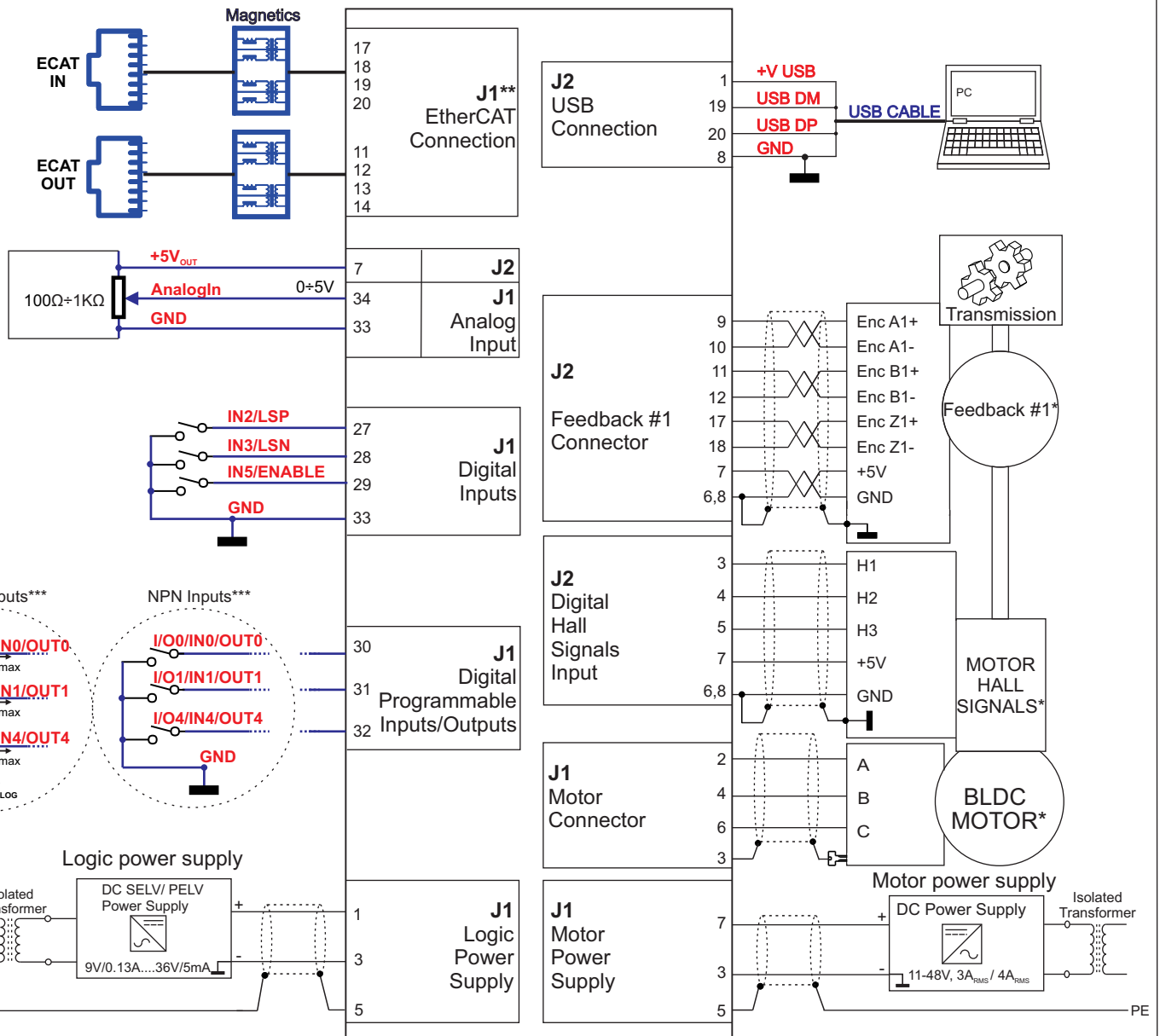
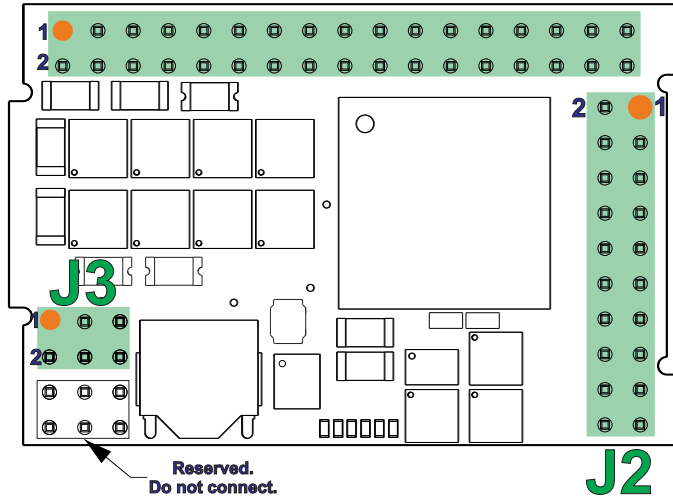


# J1



\* FOR ALL AVAILABLE OPTIONS CHECK THE USER MANUAL OF THE DRIVE

\*\* FOR A DETAILED ETHERCAT BUS CONNECTION DIAGRAM CHECK THE USER MANUAL OR DATASHEET OF THE DRIVE

\*\*\* PINS ARE SOFTWARE SELECTABLE INDIVIDUALLY AS NPN INPUTS/OUTPUTS

**Micro 4804 LZ-CAT**

**P/N:P020.022.E122**



Copyright © Technosoft 2024. All rights reserved.

**Micro 4804 LZ-CAT - Electrical Connection Diagram**  
Title

Size <b>A4</b>	Document Number: P091.020.Micro 4804 LZ-CAT.CDG.0724	Author: ALN	Rev <b>A</b>
Date: 0724	Sheet 1 of 1		