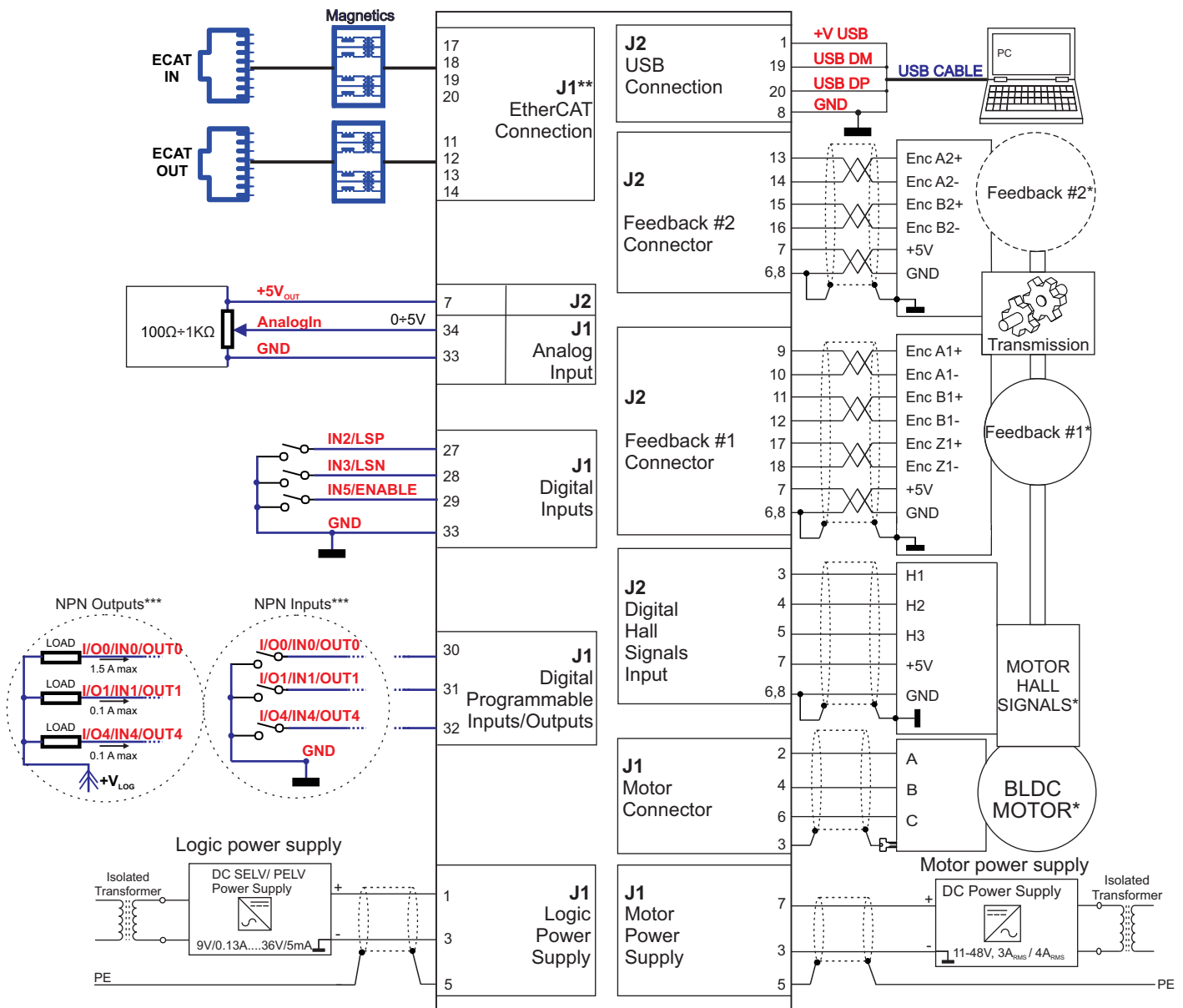


Pins facing downward view



Micro 4803 MZ-CAT	P/N:P020.001.E122
Micro 4803 PZ-CAT	P/N:P020.001.E322
Copyright © Technosoft 2023. All rights reserved.	
Micro 4803 MZ/PZ-CAT - Electrical Connection Diagram	
Size: A4	Document Number: P091.020.Micro 4803 MZ/PZ-CAT.CDG.0523
Date: 0523	Author: ALN
Rev F	
Sheet 1 of 1	

* FOR ALL AVAILABLE OPTIONS CHECK THE USER MANUAL OF THE DRIVE

** FOR A DETAILED ETHERCAT BUS CONNECTION DIAGRAM CHECK THE USER MANUAL OR DATASHEET OF THE DRIVE

*** PINS ARE SOFTWARE SELECTABLE INDIVIDUALLY AS NPN INPUTS/OUTPUTS