

Ordering information			
Part No.	Description	Package components	Connectors
P038.040.C389	CCS iMOT23 TM-CAT (Complete cable set, 150 cm)	1 x Supply cable	J4
		1 x RS-232 & I/O cable	J3
		1 x EtherCAT to RJ-45 cable	J1

Compatible products		
Part No.	Name	Description
P036.222.E322	iMOT232S TM-CAT	Stepper Nema 23, size 2, EtherCAT version, IP66 connectors
P026.232.E322	iMOT233S TM-CAT	Stepper Nema 23, size 3, EtherCAT version, IP66 connectors

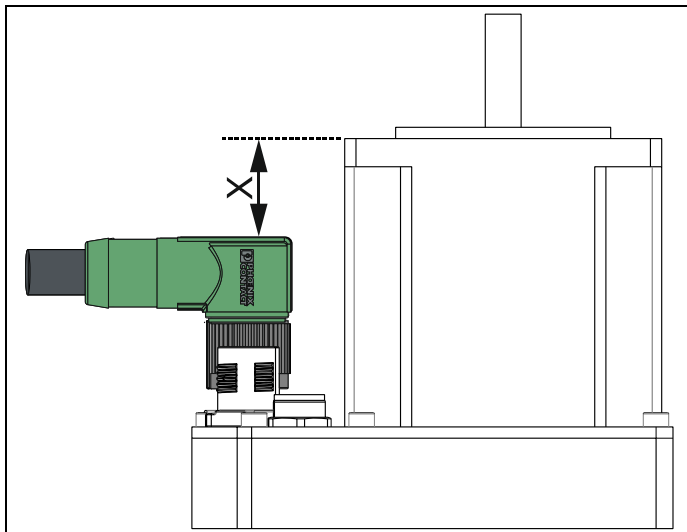
J1 - EtherCAT connection cable
EtherCAT to RJ-45 cable

J3 - RS-232 & I/O cable

J4 - Supply cable

1 - brown	7 - black	Twisted pairs	1&3	7&10
2 - blue	8 - gray			
3 - white	9 - red		4&6	2&9
4 - green	10 - violet		5&8	11&12
5 - pink	11 - grey&pink			
6 - yellow	12 - red&blue			

Cables description
 - Cables length: 1500mm;
 - Stripping length of the free conductor end: 50mm.



	X [mm]	
	iMOT232S TM-CAT	iMOT233S TM-CAT
Max	17.5	42.5
Min	15.5	40.5

Name ALN	First edition December 22, 2021	Document template: P099.TQT.564.0001	Last edition May 15, 2023	Visa:
		Title of document iMOT23x TM-CAT Cable Set PRODUCT DATA SHEET	N° document P038.040.C389.DSH.10A Page : 1 of 1	