

Ordering information			
Part No.	Description	Package components	Connectors
P038.040.C189	CCS iMOT23 TM-CAN (Complete cable set, 150 cm)	1 x Supply cable	J4
		1 x RS-232 & I/O cable	J3
		2 x CAN cables: - 1 x Interconnect cable - 1 x CAN to flying leads cable	J1&J2

Compatible products		
Part No.	Name	Description
P036.222.E320	iMOT232S TM-CAN	Stepper Nema 23, size 2, CAN version, IP66 connectors
P026.232.E320	iMOT233S TM-CAN	Stepper Nema 23, size 3, CAN version, IP66 connectors

J1 & J2 - CAN connection cable

Interconnect cable (iMOT to iMOT)

CAN to flying leads cable

1 - grey	Twisted pairs
2 - red	2&4
3 - white	3&5
4 - black	
5 - blue	

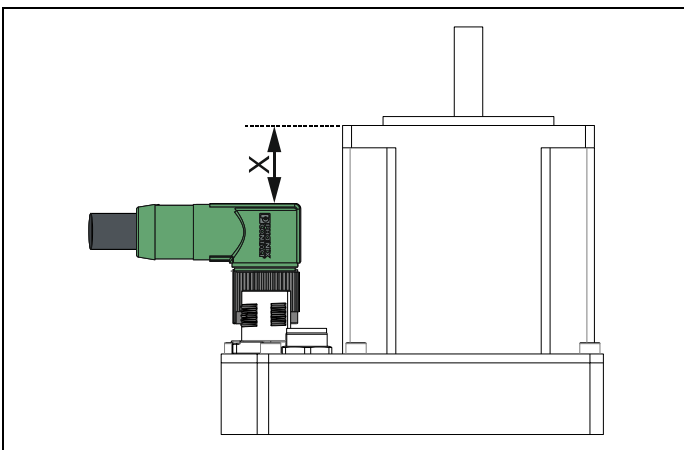
J3 - RS-232 & I/O cable

1 - brown	7 - black	Twisted pairs
2 - blue	8 - gray	1&3 7&10
3 - white	9 - red	4&6 2&9
4 - green	10 - violet	5&8 11&12
5 - pink	11 - grey&pink	
6 - yellow	12 - red&blue	

J4 - Supply cable

1 - brown
2 - white
3 - blue
4 - black

Cables description
 - Cables length: 1500mm;
 - Stripping length of the free conductor end: 50mm.



	X [mm]	
	iMOT232S TM-CAN	iMOT233S TM-CAN
Max	17.5	42.5
Min	15.5	40.5